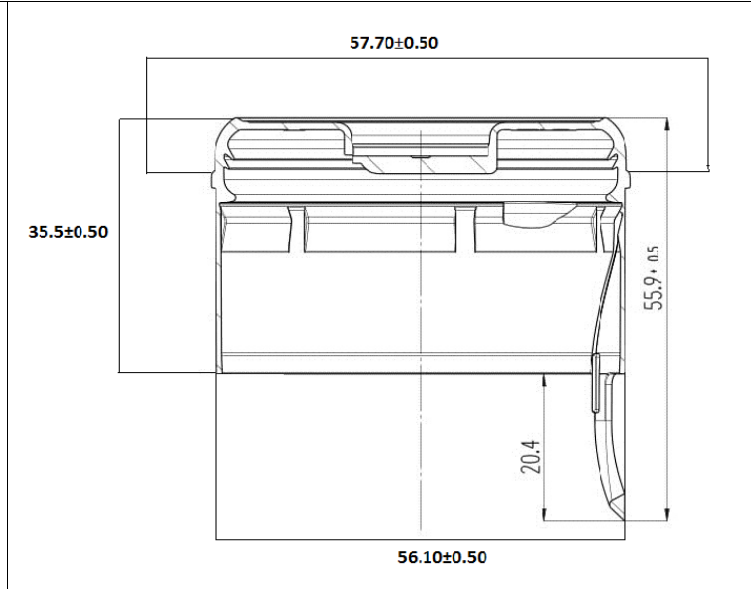




TECHNICAL DATA SHEET

5 GALLON RING CAP



TECHNICAL INFORMATION

MATERIAL	LDPE + HDPE
NECK SIZE	55mm
WEIGHT	8.00(±0.50) gms
CLOSURE O/D (W/O RING)	57.70(±0.50) mm
TOTAL HEIGHT (W/O ROUND TE BAND)	35.50(±0.50) mm
TOTAL HEIGHT (WITH ROUND TE BAND)	55.90(±0.50) mm
TEMPER EVIDENT BAND	Pull Ring Type
USE	20Ltr/19Ltr Mineral Water
COLOR	Custom colors accepted

PACKING DETAILS

NO OF PCS IN A BOX	1075pcs	
QUANTITY IN A 20ft CONTAINER	274125pcs	255Boxes
QUANTITY IN A 40ft CONTAINER	645000pcs	600Boxes