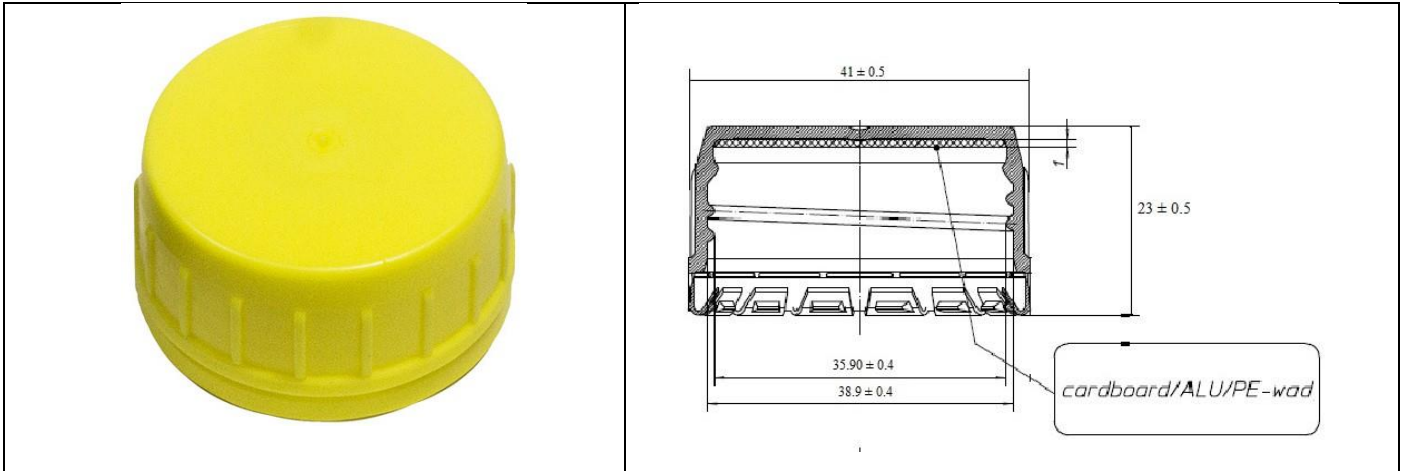




TECHNICAL DATA SHEET

38/23 5LTR JAR CAP



TECHNICAL INFORMATION

MATERIAL	HDPE
NECK SIZE	38/23mm
NECK FINISH	Screw
WEIGHT	5.96(±0.10) gm
DIAMETER	66.50(±0.40) mm
HEIGHT	42.40(±0.20) mm
CROSS SECTION	Round
OPTIONS	Wad
USE	Lubricant Oil, Edible Oil and Others
COLOR	Custom Colours accepted
FOOD GRADE	Yes

PACKING DETAILS

NO OF PCS IN A BOX	2500pcs	
QUANTITY IN A 20ft CONTAINER	637,500 pcs	255Boxes
QUANTITY IN A 40ft CONTAINER	1,500,000 pcs	600Boxes