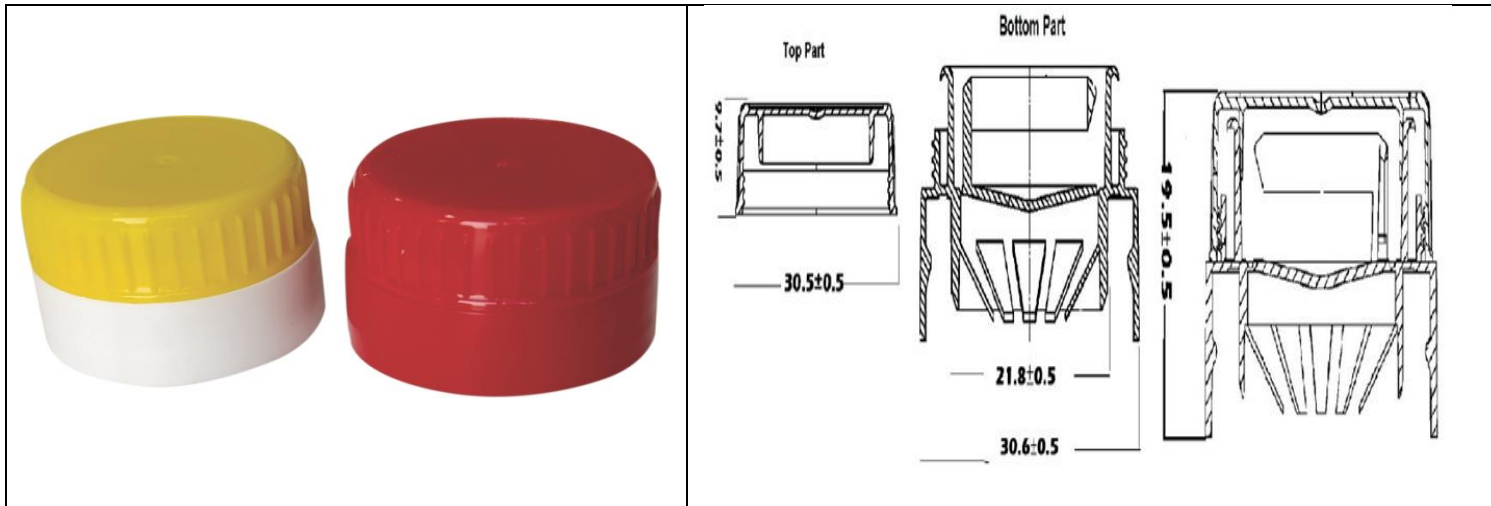




TECHNICAL DATA SHEET

29/21 PRESS ON/CTC TWO PCS CAP (40K)



TECHNICAL INFORMATION

MATERIAL	HDPE & LDPE	
NECK SIZE	29/21mm	
WEIGHT	3.30(±0.25) gms	
TAMPER EVIDENT BAND	Tear Off Seal	
NO OF KNURLS ON TOP PART	40 Knurls	
TOP LOAD REQUIREMENT IN FILLING LINE	25-30 Kg	
SEAL BREAKING STRENGTH	55N-65N	
TOP PART	OD with Knurls	30.00(±0.5) mm
	Height	9.70(±0.5) mm
BOTTOM PART	OD	30.60(±0.5) mm
	Plug OD	21.80(±0.5) mm
USE	Edible Oil, Vinegar, syrup	
COLOR	Custom Colours Accepted	

PACKING DETAILS

NO OF PCS IN A BOX	5500pcs	
QUANTITY IN A 20ft CONTAINER	1402500pcs	255Boxes
QUANTITY IN A 40ft CONTAINER	3300000pcs	600Boxes

CONTACT: indiasales@aglogroup.com, export@aglogroup.com
 WEBSITE: www.aglogroup.com