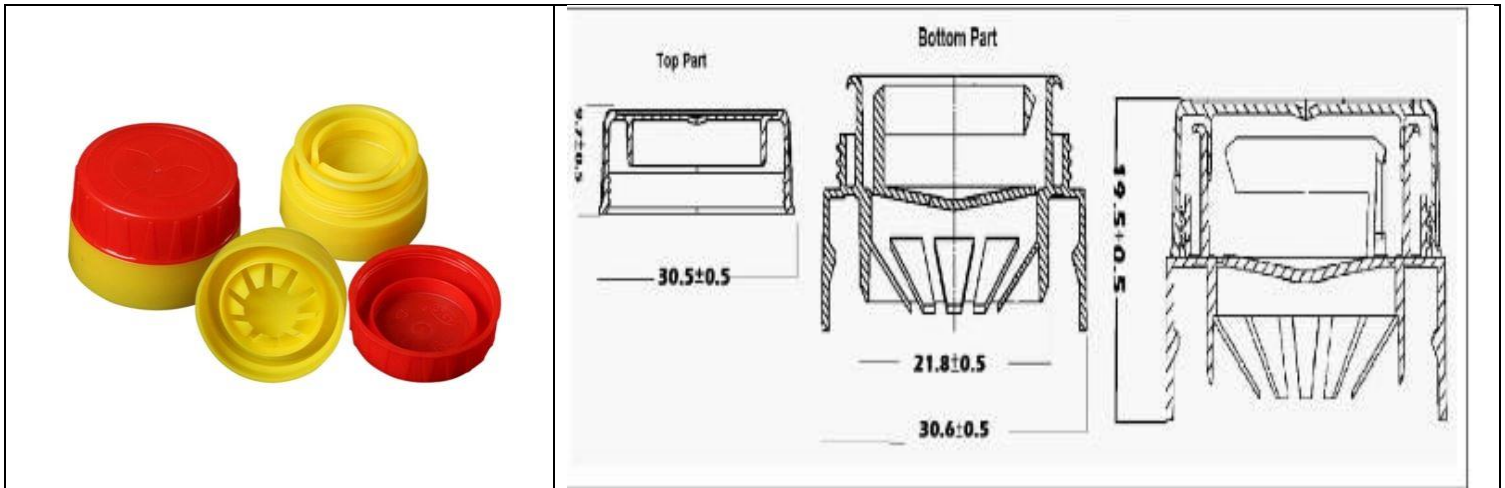




TECHNICAL DATA SHEET

29/21 PRESS ON/CTC TWO PCS CAP (20K)



TECHNICAL INFORMATION

MATERIAL	HDPE+LDPE	
NECK SIZE	29/21mm	
WEIGHT	3.30(±0.25) gms	
TAMPER EVIDENT BAND	Tear Off Seal	
NO OF KNURLS ON TOP PART	20 Knurls	
TOP LOAD REQUIREMENT IN FILLING LINE	25-30 Kg	
SEAL BREAKING STRENGTH	55N-65N	
TOP PART	OD with Knurls	30.00(±0.50) mm
	Height	9.70(±0.50) mm
BOTTOM PART	OD	30.60(±0.50) mm
	Plug OD	21.80(±0.50) mm
USE	Edible Oil, Vinegar, Syrup	
COLOR	Custom Colours Accepted	

PACKING DETAILS

NO OF PCS IN A BOX	5500pcs	
QUANTITY IN A 20ft CONTAINER	1,430,000 pcs	260Boxes
QUANTITY IN A 40ft CONTAINER	3,300,000 pcs	600Boxes

CONTACT: indiasales@aglogroup.com, export@aglogroup.com
 WEBSITE: www.aglogroup.com